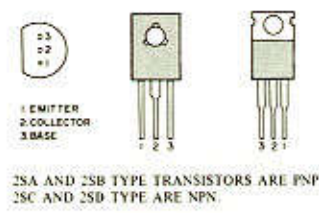
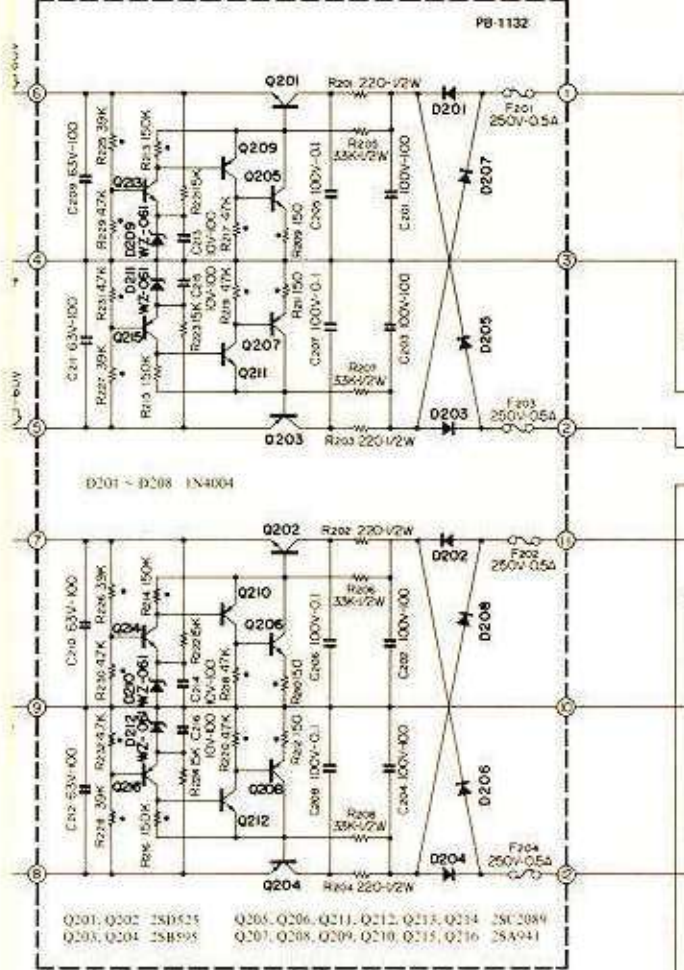


NOTE SW001 COUPLING CAPACITOR IN-OUT SW. SW002 POWER SW.

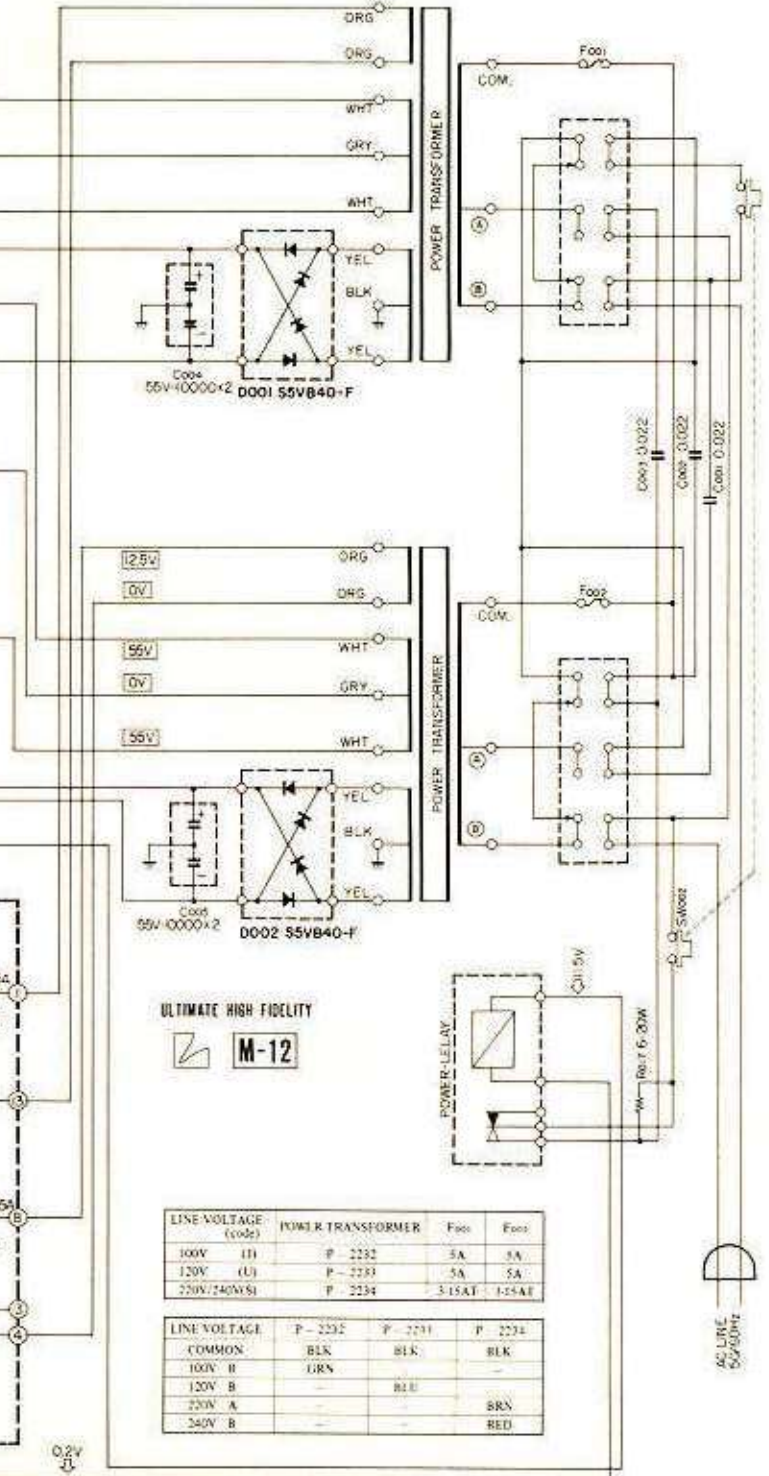


VOLTAGE-REGULATORS

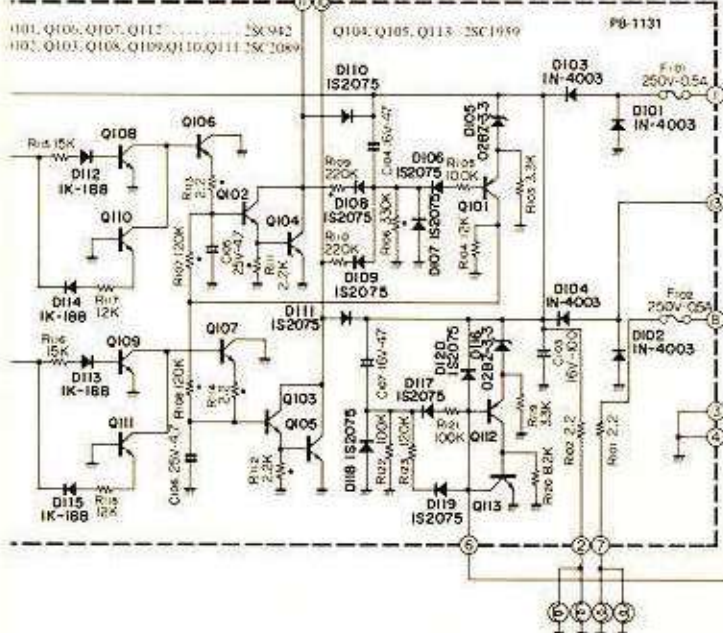


NOTE:

1. ALL RESISTORS ARE IN OHM, 1/4-WATT 5% TOLERANCE, UNLESS SPECIFIED.
2. ALL FRACTIONAL-VALUE CAPACITORS AND ELECTROLYTICS ARE IN μ F. OTHER CAPACITORS ARE IN μ F, 100V TOLERANCE.
3. TRANSISTORS AND DIODES MAY BE REPLACED WITH ANY TYPE HAVING COMPARABLE RATING.
4. DUE TO CONTINUED IMPROVEMENTS "LUX" RESERVES THE RIGHT TO ALTER THE CIRCUIT OR THE SPECIFICATION.
5. SYMBOLS
 • 1/8-WATT RESISTOR
 Δ FLAMEPROOF RESISTOR
 ⊗ PRECISION RESISTOR
 □ MICA CAPACITOR

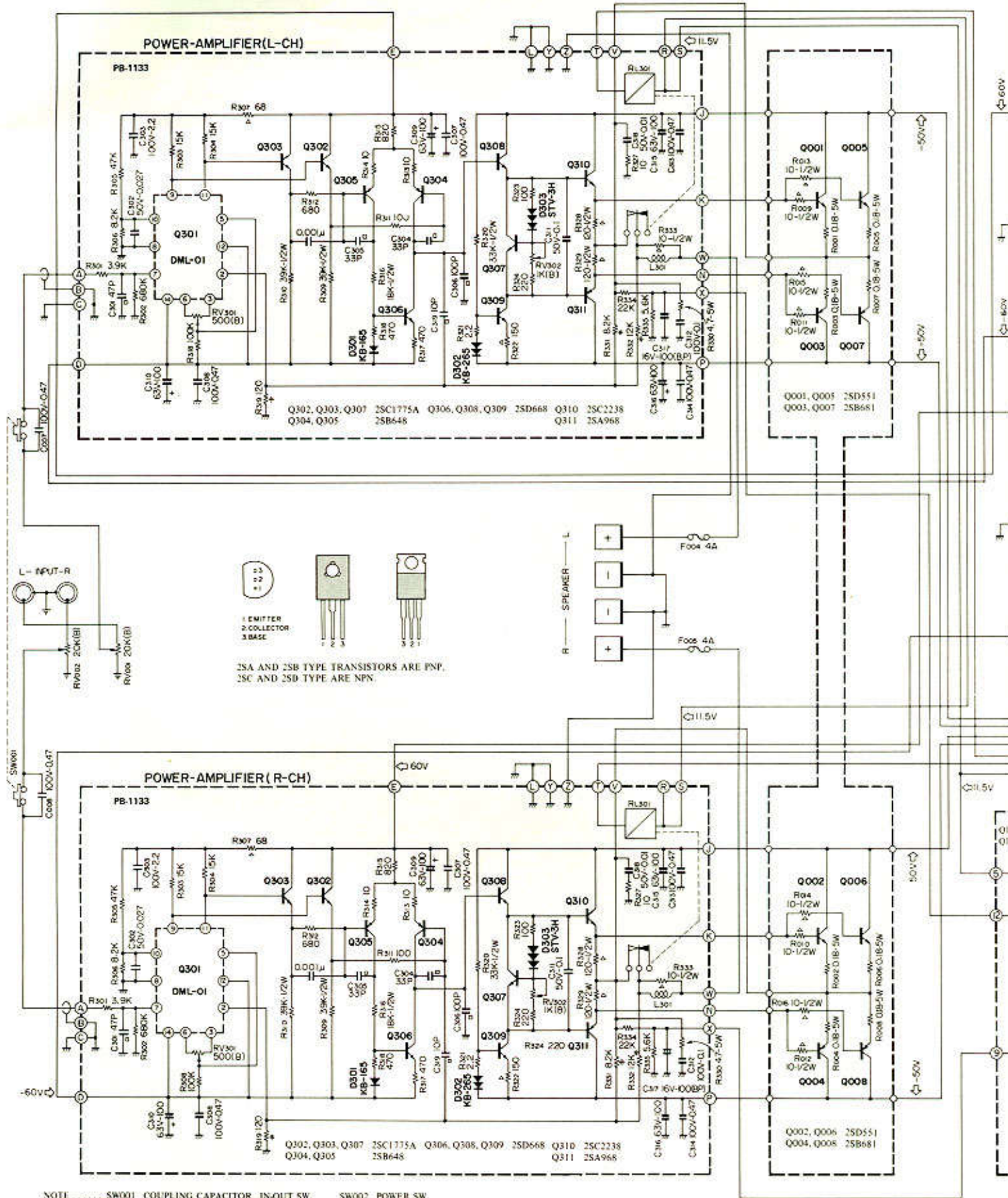


MUTING AND PROTECTOR CIRCUIT



LINE VOLTAGE (code)	POWER TRANSFORMER	Fuses	Fuses
100V (H)	P-2232	5A	5A
120V (L)	P-2233	5A	5A
220V/240V (S)	P-2234	3.15AT	1.25AT

LINE VOLTAGE	P-2232	P-2233	P-2234
COMMON	BLK	BLK	BLK
100V (H)	GRN	-	-
120V (L)	-	BLU	-
220V (A)	-	-	BRN
240V (B)	-	-	RED



1. EMITTER
 2. COLLECTOR
 3. BASE

2SA AND 2SB TYPE TRANSISTORS ARE PNP,
 2SC AND 2SD TYPE ARE NPN.

NOTE SW001 COUPLING CAPACITOR IN-OUT SW. SW002 POWER SW.